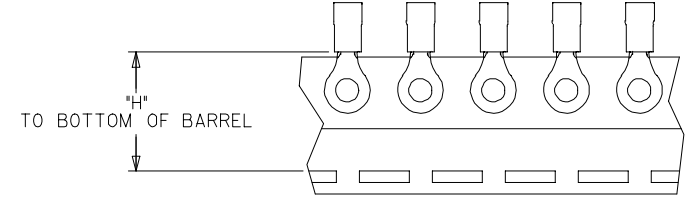
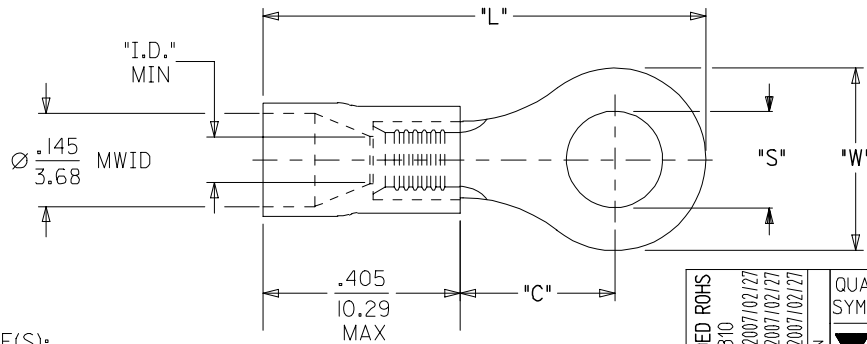


| 10 | | 9 | | 8 | | 7 | | 6 | | 5 | | 4 | | 3 | | 2 | | 19070 | |
|-----------------|------------------|-----------------|------------------|--------------|---------------------|-------------|--------------|----------------|---------------|------------------------------|--------------------|---|--|---|--|---|--|-------|--|
| LOOSE PIECE | | | | TAPE MOUNTED | | | | SPECIFICATIONS | | | | | | | | | | | |
| MATERIAL NUMBER | ALTERNATE NUMBER | MATERIAL NUMBER | ALTERNATE NUMBER | STUD SIZE | "S" ±.005/(0.13) | "W" MAX. | "C" MIN. | "L" MAX. | "ID" MIN. | STOCK THICKNESS REFERENCE | "H" ±.020/-.051 | | | | | | | | |
| F | I90700005 | AA-220-02X | I90700006 | AA-220-02XT | 2 | .094/(2.39) | .235/(6.00) | .157/(3.99) | .709/(18.01) | .062/(1.57) | .028/(0.71) | | | | | | | | |
| | I90700007 | AA-220-04X | I90700008 | AA-220-04XT | 4 | .119/(3.02) | | | | | | | | | | | | | |
| | I90700009 | AA-220-06X | I90700010 | AA-220-06XT | 6 | .146/(3.71) | | | | | | | | | | | | | |
| | I90700011 | AA-221-06X | I90700012 | AA-221-06XT | 6 | .146/(3.71) | .322/(8.18) | .270/(6.86) | .866/(22.00) | .062/(1.57) | .028/(0.71) | | | | | | | | |
| | I90700013 | AA-221-08X | I90700014 | AA-221-08XT | 8 | .173/(4.39) | | | | | | | | | | | | | |
| | I90700015 | AA-221-10X | I90700017 | AA-221-10XT | 10 | .198/(5.03) | | | | | | | | | | | | | |
| | I90700019 | AA-221-209X | I90700020 | AA-221-209XT | 209 | .209/(5.18) | .477/(12.11) | .386/(9.80) | 1.060/(26.92) | .062/(1.57) | .028/(0.71) | | | | | | | | |
| E | I90700021 | AA-222-10X | I90700022 | AA-222-10T | 10 | .198/(5.03) | | | | | | | | | | | | | |
| | I90700023 | AA-222-14X | I90700024 | AA-222-14XT | 14 | .265/(6.73) | | | | | | | | | | | | | |
| | I90700026 | AA-222-56X | I90700027 | AA-222-56XT | 56 | .328/(8.33) | .544/(13.82) | .552/(14.02) | 1.259/(31.98) | .055/(1.40) | .031/(0.79) | | | | | | | | |
| | I90700029 | AA-226-10X | I90700030 | AA-226-10XT | 10 | .198/(5.03) | | | | | | | | | | | | | |
| | I90700031 | AA-226-14X | I90700032 | AA-226-14XT | 14 | .265/(6.73) | | | | | | | | | | | | | |
| | I90700036 | AA-226-56X | I90700037 | AA-226-56XT | 56 | .328/(8.33) | .264/(6.70) | .240/(6.10) | .807/(20.50) | .062/(1.57) | .028/(0.71) | | | | | | | | |
| | I90700033 | AA-226-38X | I90700035 | AA-226-38XT | 38 | .390/(9.91) | | | | | | | | | | | | | |
| D | I90700038 | AA-232-04X | I90700039 | AA-232-04XT | 4 | .119/(3.02) | | | | | | | | | | | | | |
| | I90700040 | AA-232-06X | I90700042 | AA-232-06XT | 6 | .146/(3.71) | .283/(7.20) | .240/(6.10) | .816/(20.73) | .062/(1.57) | .028/(0.71) | | | | | | | | |
| | I90700044 | AA-232-08X | I90700045 | AA-232-08XT | 8 | .173/(4.39) | | | | | | | | | | | | | |
| | I90700051 | AA-233-10X | I90700052 | AA-233-10XT | 10 | .198/(5.03) | | | | | | | | | | | | | |
| | I90700001 | AA-2111-02X | I90700002 | AA-2111-02XT | 2 | .094/(2.39) | .197/(5.00) | .173/(4.40) | .715/(18.16) | .055/(1.40) | .031/(0.79) | | | | | | | | |
| | I90700003 | AA-2111-04X | I90700004 | AA-2111-04XT | 4 | .119/(3.02) | | | | | | | | | | | | | |



SALES DRAWING

- NOTE(S):
1. MATERIAL: COPPER
PLATING: ELECTROPLATE TIN
 2. FERRULE: TIN-PLATED BRASS
 3. INSULATION: RED MOLDED PVC
 4. MWID=MAXIMUM WIRE INSULATION DIA.
 5. ALL DIMENSIONS IN INCHES (MM).
 6. ASSEMBLY IS ROHS COMPLIANT.

| 173 WAS 146 & ADDED ROHS EC NO: ETC2007-0310 DRWNEHLE 2007/02/27 CHKD: JMACNEIL 2007/02/27 APPR: JMACNEIL 2007/02/27 | QUALITY SYMBOLS | GENERAL TOLERANCES (UNLESS SPECIFIED) | DIMENSION STYLE | SCALE | DESIGN UNITS | THIRD ANGLE PROJECTION | | | | | | | | | | | | | | | | | | | | | | | | | | | | | | | | | | | | | |
|--|---|---|-----------------|---|--------------|------------------------|------|------|----------|------|------|----------|------|------|---------|------|------|---------|-------|-------|---|----------|------|---------|-----------|------------|------|----------|-----------|-------------|------|---------|-----------|--|-------|--|---|--------------|--------------|-----------|-----------|--------------|--------|
| | $\nabla=0$ $\nabla=0$ | <table border="1"> <thead> <tr> <th></th> <th>mm</th> <th>INCH</th> </tr> </thead> <tbody> <tr> <td>4 PLACES</td> <td>±---</td> <td>±---</td> </tr> <tr> <td>3 PLACES</td> <td>±---</td> <td>±---</td> </tr> <tr> <td>2 PLACES</td> <td>±---</td> <td>±---</td> </tr> <tr> <td>1 PLACE</td> <td>±---</td> <td>±---</td> </tr> <tr> <td>ANGULAR</td> <td>±----</td> <td>±----</td> </tr> </tbody> </table> | | mm | INCH | 4 PLACES | ±--- | ±--- | 3 PLACES | ±--- | ±--- | 2 PLACES | ±--- | ±--- | 1 PLACE | ±--- | ±--- | ANGULAR | ±---- | ±---- | <table border="1"> <thead> <tr> <th>DRAWN BY</th> <th>DATE</th> </tr> </thead> <tbody> <tr> <td>DMYRICK</td> <td>2005/7/22</td> </tr> <tr> <th>CHECKED BY</th> <th>DATE</th> </tr> <tr> <td>HBEITZEL</td> <td>2005/7/22</td> </tr> <tr> <th>APPROVED BY</th> <th>DATE</th> </tr> <tr> <td>RDEROSS</td> <td>2005/7/22</td> </tr> </tbody> </table> | DRAWN BY | DATE | DMYRICK | 2005/7/22 | CHECKED BY | DATE | HBEITZEL | 2005/7/22 | APPROVED BY | DATE | RDEROSS | 2005/7/22 | <table border="1"> <thead> <tr> <th>TITLE</th> </tr> </thead> <tbody> <tr> <td>RING TONGUE TERMINAL KRIMPTITE, 200-SERIES 22-18 AWG</td> </tr> </tbody> </table> | TITLE | RING TONGUE TERMINAL KRIMPTITE, 200-SERIES 22-18 AWG | <table border="1"> <thead> <tr> <th>MATERIAL NO.</th> <th>DOCUMENT NO.</th> <th>SHEET NO.</th> </tr> </thead> <tbody> <tr> <td>SEE CHART</td> <td>SD-19070-003</td> <td>1 OF 1</td> </tr> </tbody> </table> | MATERIAL NO. | DOCUMENT NO. | SHEET NO. | SEE CHART | SD-19070-003 | 1 OF 1 |
| | | mm | INCH | | | | | | | | | | | | | | | | | | | | | | | | | | | | | | | | | | | | | | | | |
| | 4 PLACES | ±--- | ±--- | | | | | | | | | | | | | | | | | | | | | | | | | | | | | | | | | | | | | | | | |
| 3 PLACES | ±--- | ±--- | | | | | | | | | | | | | | | | | | | | | | | | | | | | | | | | | | | | | | | | | |
| 2 PLACES | ±--- | ±--- | | | | | | | | | | | | | | | | | | | | | | | | | | | | | | | | | | | | | | | | | |
| 1 PLACE | ±--- | ±--- | | | | | | | | | | | | | | | | | | | | | | | | | | | | | | | | | | | | | | | | | |
| ANGULAR | ±---- | ±---- | | | | | | | | | | | | | | | | | | | | | | | | | | | | | | | | | | | | | | | | | |
| DRAWN BY | DATE | | | | | | | | | | | | | | | | | | | | | | | | | | | | | | | | | | | | | | | | | | |
| DMYRICK | 2005/7/22 | | | | | | | | | | | | | | | | | | | | | | | | | | | | | | | | | | | | | | | | | | |
| CHECKED BY | DATE | | | | | | | | | | | | | | | | | | | | | | | | | | | | | | | | | | | | | | | | | | |
| HBEITZEL | 2005/7/22 | | | | | | | | | | | | | | | | | | | | | | | | | | | | | | | | | | | | | | | | | | |
| APPROVED BY | DATE | | | | | | | | | | | | | | | | | | | | | | | | | | | | | | | | | | | | | | | | | | |
| RDEROSS | 2005/7/22 | | | | | | | | | | | | | | | | | | | | | | | | | | | | | | | | | | | | | | | | | | |
| TITLE | | | | | | | | | | | | | | | | | | | | | | | | | | | | | | | | | | | | | | | | | | | |
| RING TONGUE TERMINAL KRIMPTITE, 200-SERIES 22-18 AWG | | | | | | | | | | | | | | | | | | | | | | | | | | | | | | | | | | | | | | | | | | | |
| MATERIAL NO. | DOCUMENT NO. | SHEET NO. | | | | | | | | | | | | | | | | | | | | | | | | | | | | | | | | | | | | | | | | | |
| SEE CHART | SD-19070-003 | 1 OF 1 | | | | | | | | | | | | | | | | | | | | | | | | | | | | | | | | | | | | | | | | | |
| DESCRIPTION | DRAFT WHERE APPLICABLE MUST REMAIN WITHIN DIMENSIONS | <table border="1"> <thead> <tr> <th>SIZE</th> <th>THIS DRAWING CONTAINS INFORMATION THAT IS PROPRIETARY TO MOLEX INCORPORATED AND SHOULD NOT BE USED WITHOUT WRITTEN PERMISSION</th> </tr> </thead> <tbody> <tr> <td>B</td> <td></td> </tr> </tbody> </table> | SIZE | THIS DRAWING CONTAINS INFORMATION THAT IS PROPRIETARY TO MOLEX INCORPORATED AND SHOULD NOT BE USED WITHOUT WRITTEN PERMISSION | B | | | | | | | | | | | | | | | | | | | | | | | | | | | | | | | | | | | | | | |
| SIZE | THIS DRAWING CONTAINS INFORMATION THAT IS PROPRIETARY TO MOLEX INCORPORATED AND SHOULD NOT BE USED WITHOUT WRITTEN PERMISSION | | | | | | | | | | | | | | | | | | | | | | | | | | | | | | | | | | | | | | | | | | |
| B | | | | | | | | | | | | | | | | | | | | | | | | | | | | | | | | | | | | | | | | | | | |
| REV | | | | | | | | | | | | | | | | | | | | | | | | | | | | | | | | | | | | | | | | | | | |
| | | | | | | | | | | | | | | | | | | | | | | | | | | | | | | | | | | | | | | | | | | | |